

© COPYRIGHT
 The copyright in this drawing is vested in Sheppard Robson and no license or assignment of any kind has been or is granted to any third party whether by provision of copies or originals or otherwise unless agreed in writing.

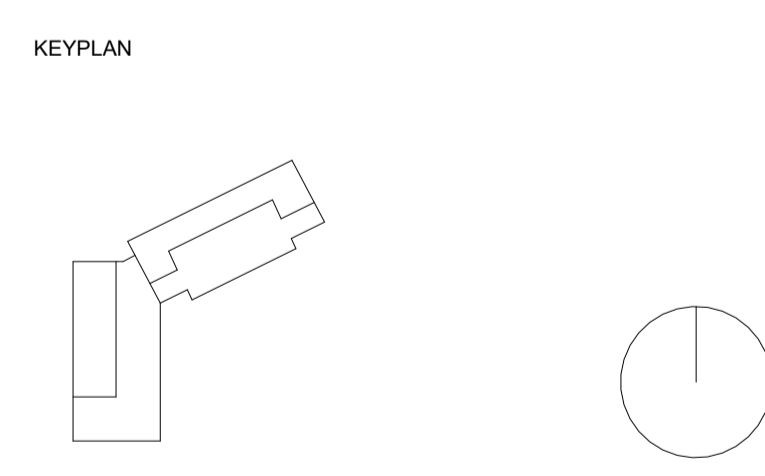
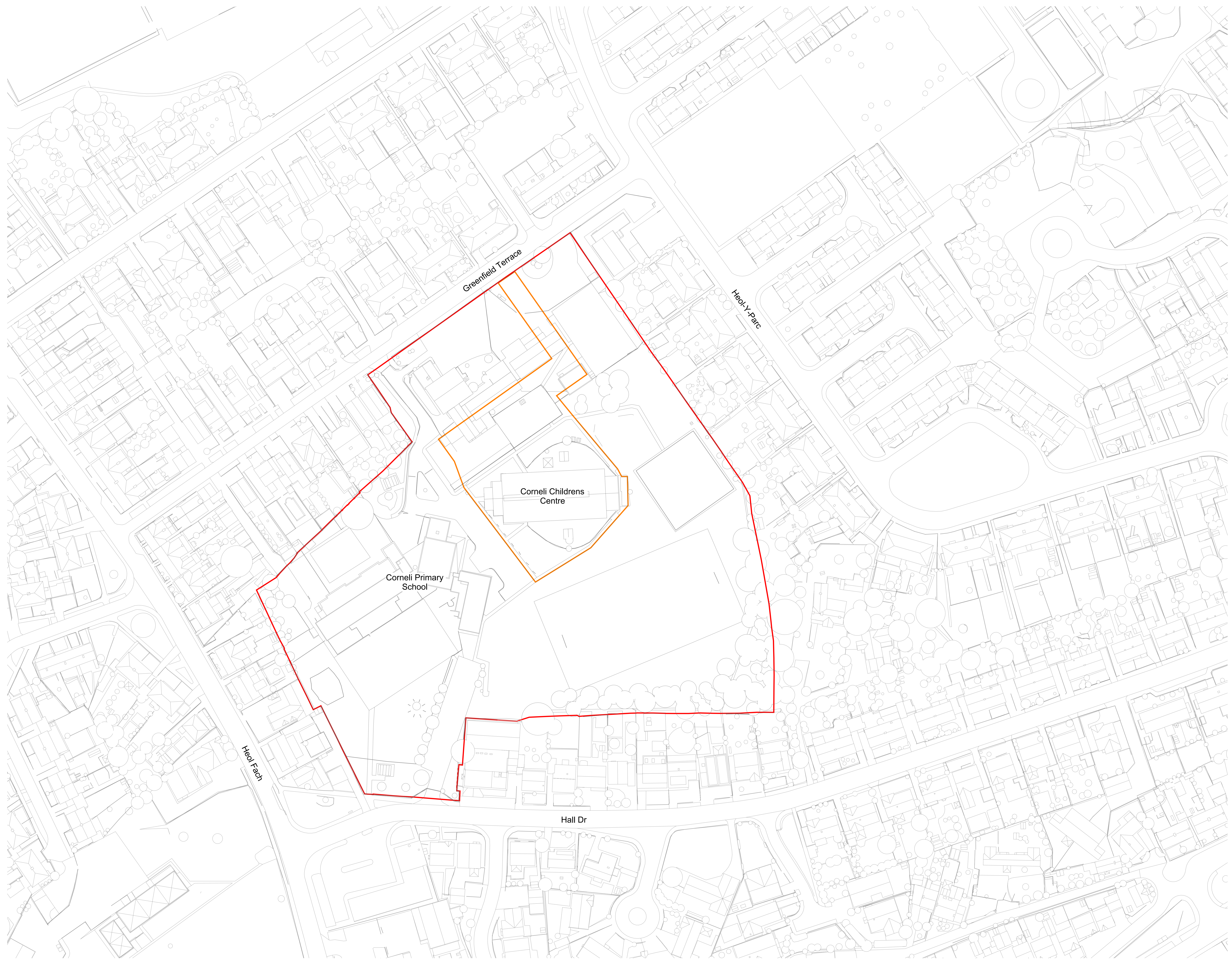
DO NOT SCALE FROM THIS DRAWING
 The contractor shall check and verify all dimensions on site and report any discrepancies in writing to Sheppard Robson before proceeding with work.

FOR ELECTRONIC DATA ISSUE
 Electronic Data / drawings are issued as "read only" and should not be interrogated for measurement. All dimensions and levels should read, only from those values stated in text on the drawing.

KEY

- Welsh Medium School Site Boundary
- Operational Children's Centre Area

REV.	DATE	AMENDMENT
P01	03/10/2023	Issued for PAC
P02	09/10/2023	Issued for PAC



CLIENT 0 5 10 15 20 25 m

Bridgend County Borough Council
 (Welsh Educational Partnership Company)



SHEPPARD ROBSON

77 Parkway Garden Town London NW11 7PU
 T: +44 (0)20 7504 1700 E: enquiries@sheppardrobson.com

PROJECT
 Welsh Medium School (Corneli Site)

SCALE/BAO	DATE	ORIGINATOR	CHECKED	AUTHORISED
1:500	09/10/2023	JM	RLS	LB

02 Planning
 Existing Site Plan

STATUS	PURPOSE FOR ISSUE	SR. NO.
S2	For Planning	6840

DRAWING NO. **BR0201 SRA 00 RF DR A 02001 P02**