

© COPYRIGHT
The copyright in this drawing is vested in Sheppard Robson and no license or assignment of any kind has been, or is, granted to any third party whether by provision of copies or originals or otherwise unless agreed in writing.

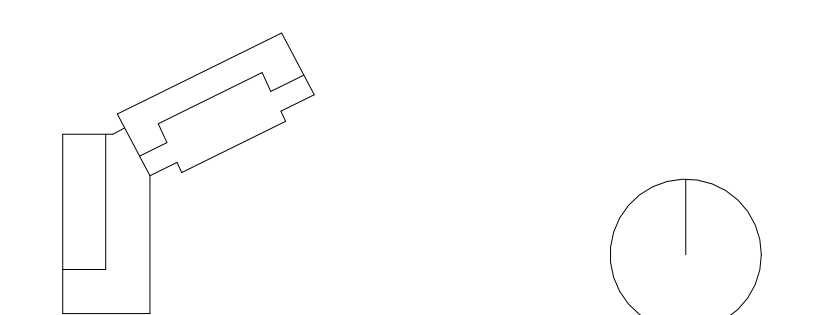
DO NOT SCALE FROM THIS DRAWING
The contractor shall check and verify all dimensions on site and report any discrepancies in writing to Sheppard Robson before proceeding work.

FOR ELECTRONIC DATA ISSUE
Electronic Data / drawings are issued as "read only" and should not be interrogated for measurement. All dimensions and levels should read, only from those values stated in text on the drawing.

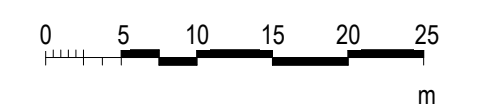
KEY
— Welsh Medium School Site Boundary
— Operational Children's Centre Area

REV.	DATE	AMENDMENT
P01	03/10/2023	Issued for PAC
P02	09/10/2023	Issued for PAC

KEYPLAN



CLIENT



Bridgend County Borough Council
(Welsh Educational Partnership Company)



SHEPPARD ROBSON

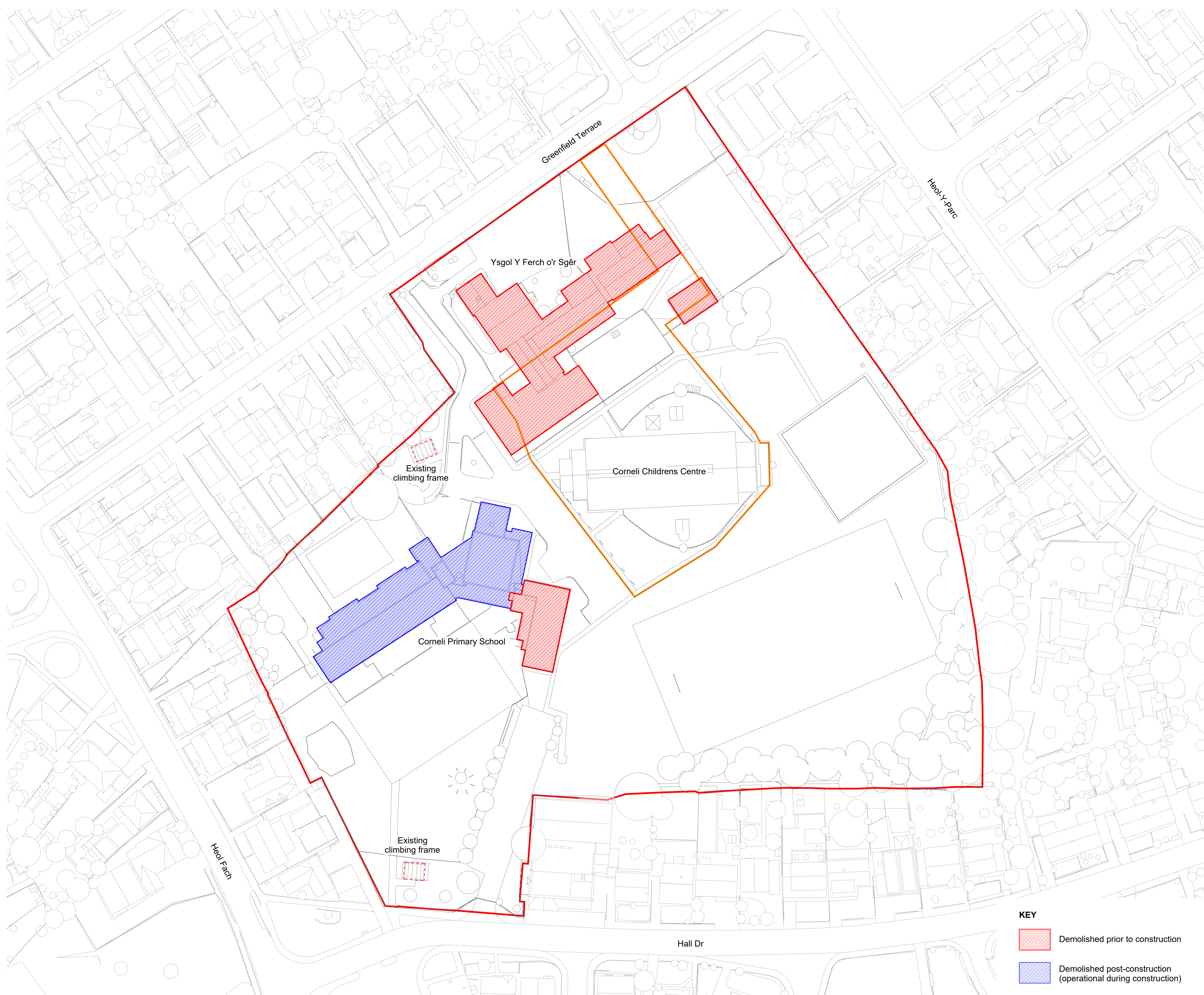
27th Floor City Tower Piccadilly Plaza Manchester M1 4BT
T: +44 (0)161 233 8900 E: enquiries@sheppardrobson.com

PROJECT
Welsh Medium School (Corneli Site)


SCALE@A1	DATE	ORIGINATOR	CHECKED	AUTHORISED
1 : 500	09/10/2023	AG	RLS	LB

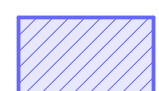
02 Planning
Demolition Plan

STATUS	PURPOSE FOR ISSUE	SR NO.
S2	For Planning	6840
DRAWING NO.		REV.
BR0201 · SRA · 00 · XX · DR · A · 02002		P02



KEY

 Demolished prior to construction

 Demolished post-construction (operational during construction)