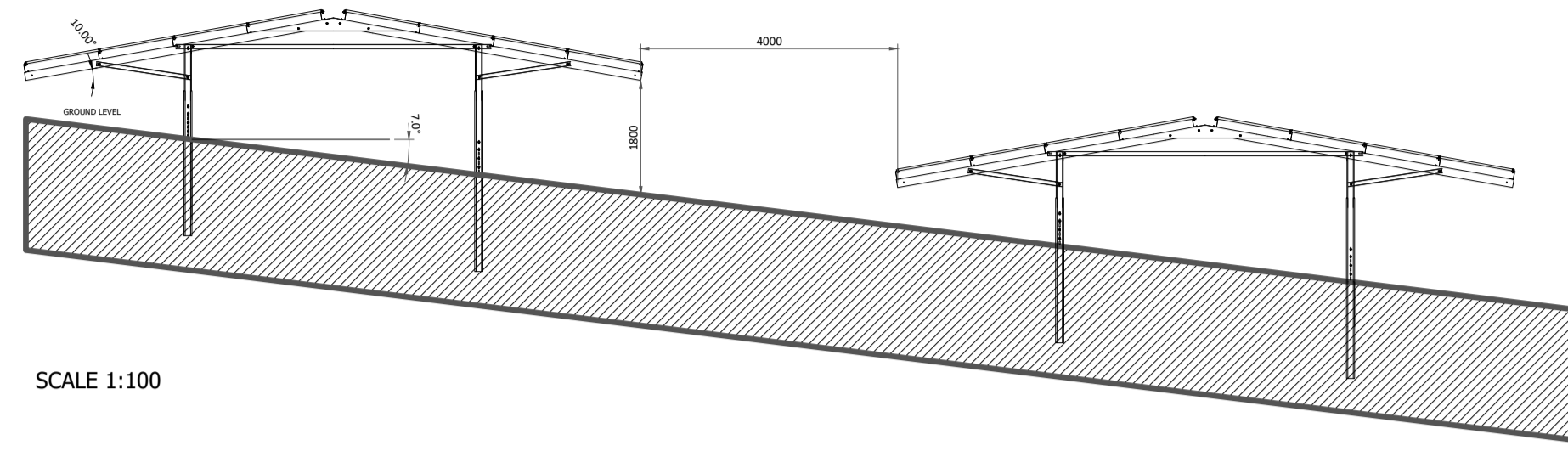


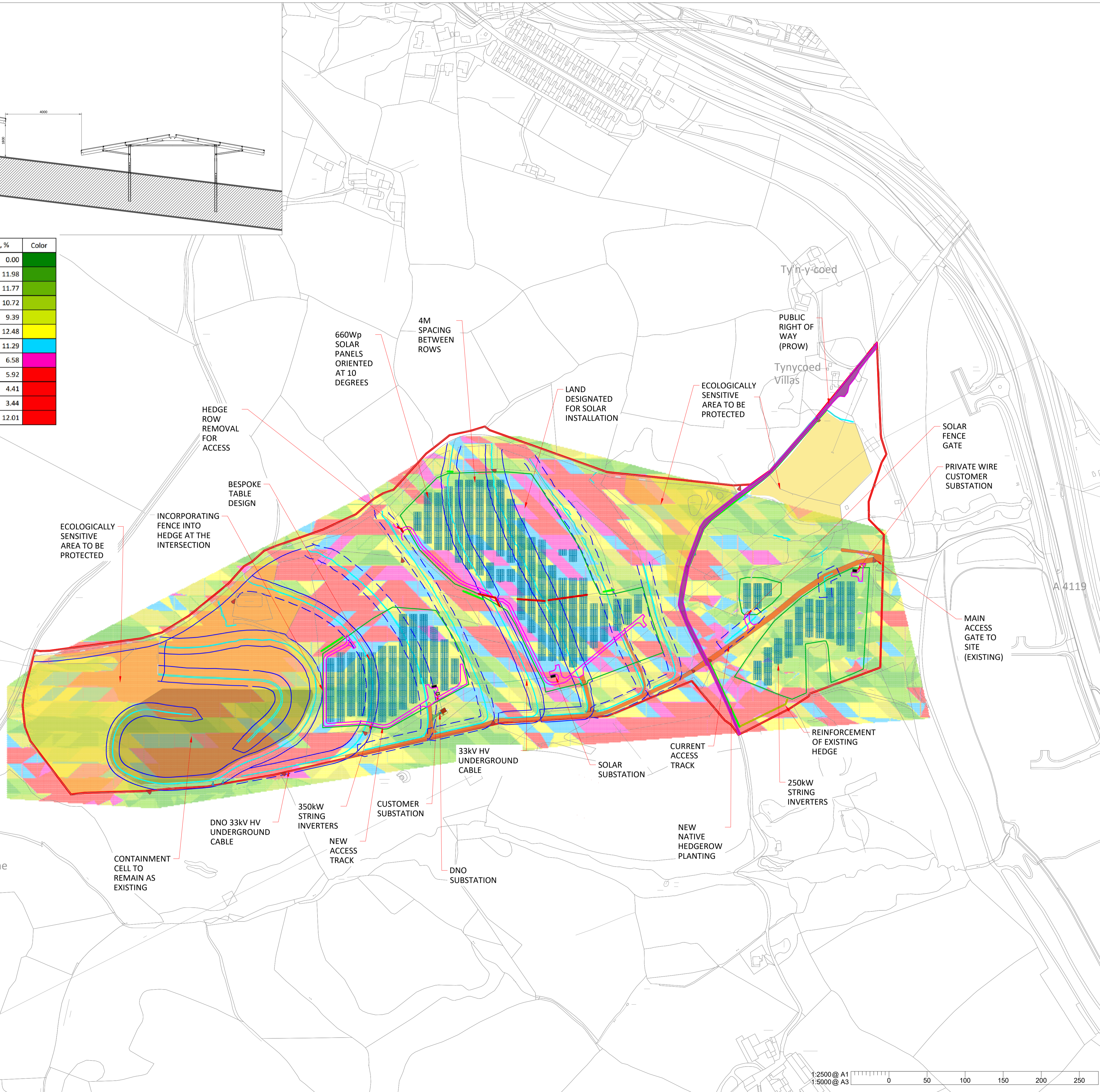
SECTION VIEW OF TABLES

NOTE:
1. ALL DIMENSIONS GIVEN ARE FOR IMPROVED, FINISHED ONLY AND ARE IN MM.
2. THIS DRAWING IS NOT TO BE USED FOR CONSTRUCTION WITHOUT THE APPROVAL OF THE DESIGNER.
3. THIS DRAWING IS NOT TO BE USED FOR CONSTRUCTION WITHOUT THE APPROVAL OF THE DESIGNER.



SCALE 1:100

Angle min., °	Angle max., °	Distribution, %	Color
0.00	0.00	0.00	Green
0.00	1.00	11.98	Light Green
1.00	2.00	11.77	Yellow-Green
2.00	3.00	10.72	Yellow
3.00	4.00	9.39	Light Yellow
4.00	5.00	12.48	Orange
5.00	6.00	11.29	Red-Orange
6.00	7.00	6.58	Red
7.00	8.00	5.92	Dark Red
8.00	9.00	4.41	Red
9.00	10.00	3.44	Red
10.00	55.00	12.01	Red



KEY PLAN

- NEW ACCESS TRACK TO BE CONSTRUCTED
- CURRENT ROADS/ACCESS TRACK
- ORDINARY WATER COURSE (OWC)
- 8M BOUNDARY AROUND OWC
- SITE RED LINE BOUNDARY
- SOLAR FENCE
- SOLAR FARM GATE / EXISTING GATE / NEW GATE
- DNO SUBSTATION
- GRID CONNECTED SCHEME SUBSTATION
- PRIVATE WIRE SCHEME SUBSTATION
- GRID CONNECTED SCHEME CUSTOMER SUBSTATION
- NEW / REINFORCED EXISTING / REMOVED HEDGEROW

NOTES

- PV PANEL SPECIFICATIONS: 660Wp (1303MM X 2384MM)
- GRID CONNECTED SCHEME CAPACITY: 6.05MWp (9168PANELS X 660Wp)
- PRIVATE WIRE SCHEME CAPACITY: 1.20MWp (1824 PANELS X 660Wp)
- INVERTER MODULE SPECIFICATIONS: 4X250KW (PRIVATE WIRE), 14X350KW (GRID CONNECTED SCHEME)
- SITE CONNECTION CAPACITIES: 5.0MWac (GRID CONNECTED), 1.0MWac (PRIVATE WIRE)
- BACKGROUND IS FROM ORDINANCE SURVEY (OS) AND IS LICENSED, BY OS, UNDER THE PSMA MEMBER LICENSE TO USE LICENSED DATA FOR ITS LICENSED USE. THE LICENSOR IS THE PLANNING AUTHORITY, RHONDDA CYNON TAF.
- WATERCOURSE MITIGATION STRATEGY TBC BY NRW
- SOLAR FENCE AT AVERAGE 5M OFFSET FROM TABLES

REVISIONS

REV	ISSUED FOR INFORMATION	GT	DATE	BF	DATE	TS	DATE
P09	ISSUED FOR INFORMATION	GT	04/07/23	BF	04/07/23	TS	04/07/23
P08	ISSUED FOR INFORMATION	GT	26/06/23	BF	26/06/23	TS	26/06/23
P07	ISSUED FOR INFORMATION	GT	23/06/23	BF	23/06/23	TS	23/06/23
P06	ISSUED FOR INFORMATION	GT	09/06/23	BF	09/06/23	TS	09/06/23
P05	ISSUED FOR INFORMATION	GT	02/06/23	BF	02/06/23	TS	02/06/23
P04	ISSUED FOR INFORMATION	GT	27/04/23	BF	27/04/23	TS	27/04/23
P03	ISSUED FOR INFORMATION	GT	24/04/23	BF	24/04/23	TS	24/04/23
P02	ISSUED FOR INFORMATION	GT	20/04/23	BF	20/04/23	TS	20/04/23
P01	ISSUED FOR INFORMATION	GT	18/04/23	BF	18/04/23	TS	18/04/23
REV	REVISION NOTES/COMMENTS	DRAWN BY	DATE	CHECKED BY	DATE	APPROVED BY	DATE

Hydrock Merchants House
Wasping Road
Bristol
BS1 4RW
t: +44 (0) 117 945 9325
e: bristol@hydrock.com

CLIENT
Rhondda Cynon Taf County Borough Council

PROJECT
Coed-Ely Solar

TITLE
Solar Block Plan
(with topography background)

HYDROCK PROJECT NO. 27541	SCALE @ A1 1:2500
STATUS DESCRIPTION SUITABLE FOR INFORMATION	STATUS S2
DRAWING NO. (PROJECT CODE-ORIGINATOR ZONE-LEVEL-TYPE-ROLE-NUMBER) 27541-HYD-XX-XX-DR-Y-0009	REVISION P09

